



AMERICAN FLOOR PRODUCTS COMPANY, INC.

AFco-USA

P.O. BOX 7055 • Gaithersburg, Maryland 20898 -7055 • 301-987-0490 • Fax 301-987-0422
 email: sales@afco-usa.com • Web Site: www.afco-usa.com

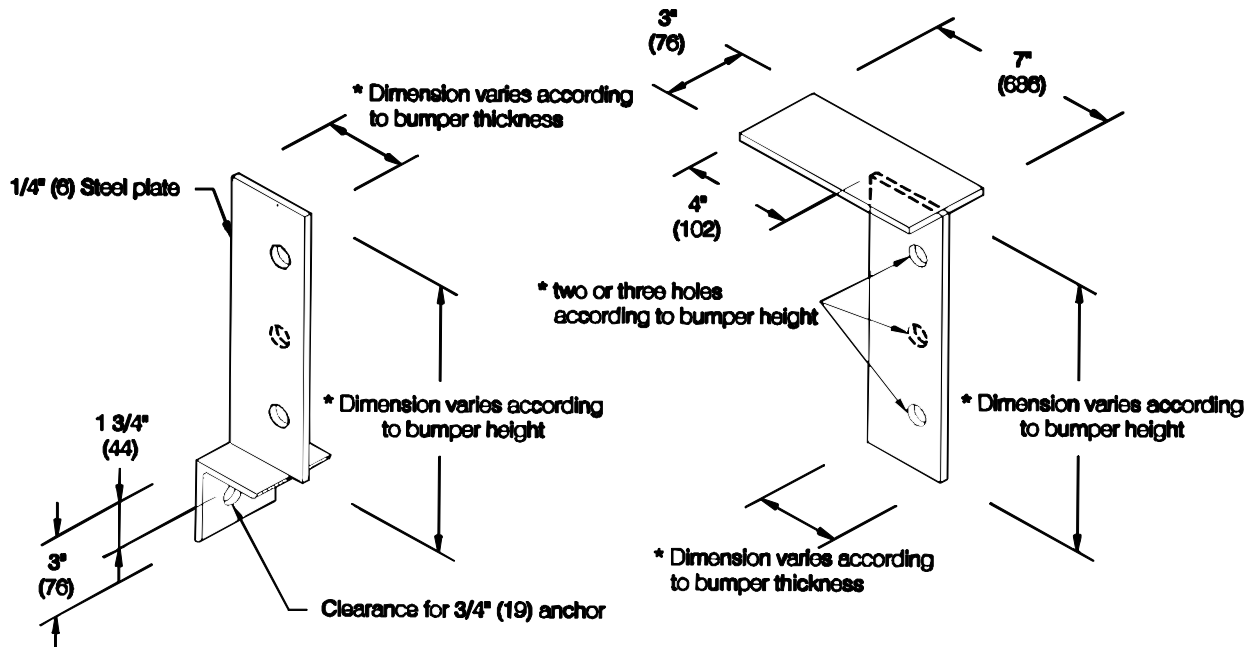
CUSTOMER P.O. #

LAMINATED DOCK BUMPER® (LB-2240)

Anchor Devices for Extra-length & Extra-thick Bumpers

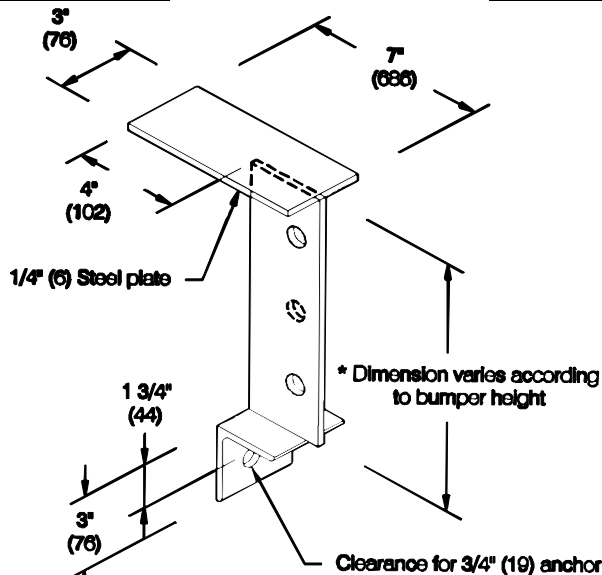
Finishes:

- Specify: Chrome aluminum lead-free enamel #107 or hot-dip galvanized #108



AD-1: For lower dock face

AD-2: For dock floor



AD-3: For lower dock face & dock floor

*Standard bumper is supplied with no mounting hardware.