



AMERICAN FLOOR PRODUCTS COMPANY, INC.

AFCO-USA

P.O. BOX 7055 • Gaithersburg, Maryland 20898 -7055 • 301-987-0490 • Fax 301-987-0422

email: sales@afco-usa.com • Web Site: www.afco-usa.com

INSTALLATION INSTRUCTIONS

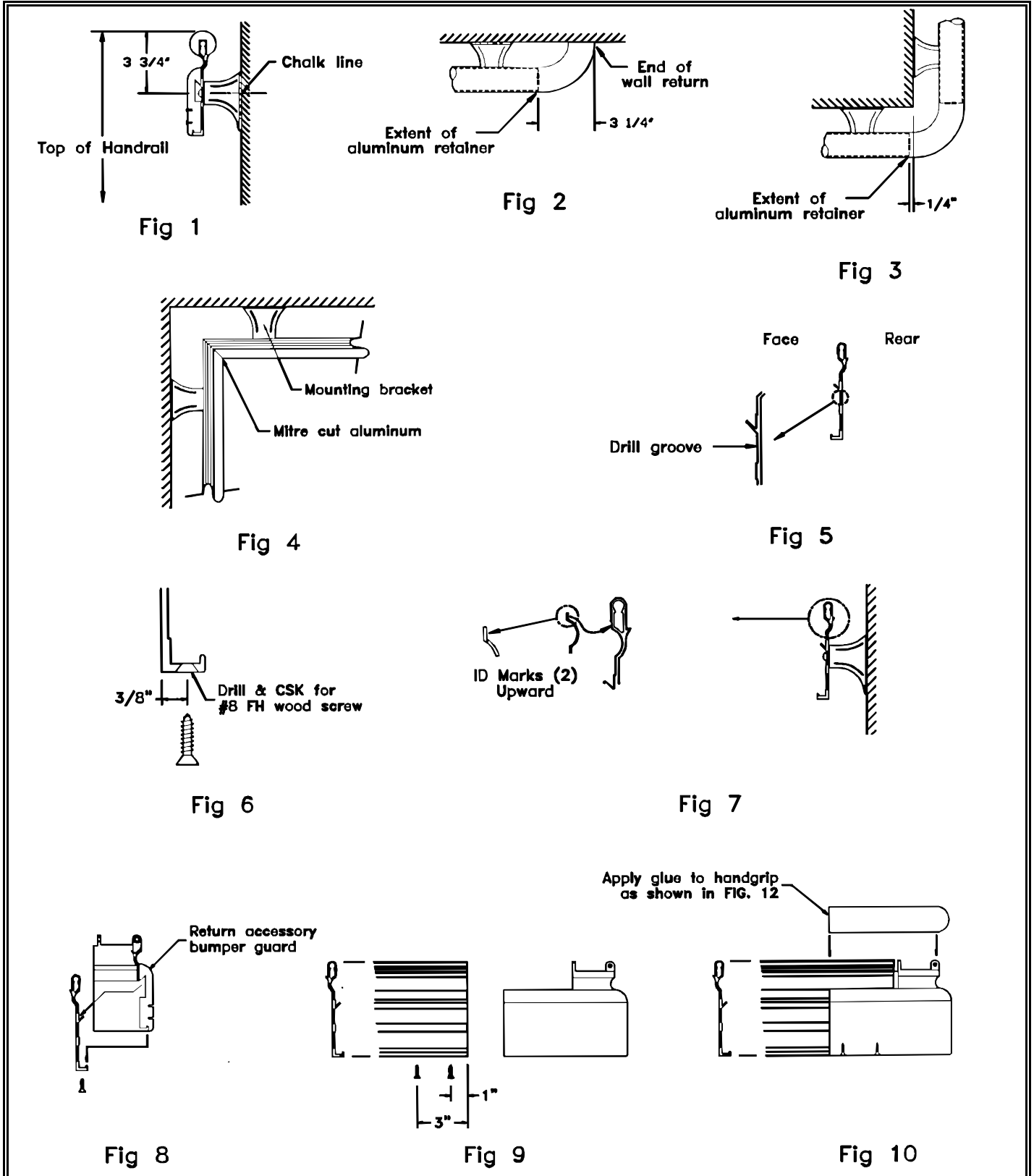
Impact Protection Systems

WOOD HANDRAIL: TETON® (WG-2113)

- Step 1:** Determine top of handrail height and snap a chalk line 3-3/4" below for centerline of mounting hardware, see *fig. 1* (see CAD details on back for all figure references)
- Step 2:** Cut aluminum. All ends must be checked for squareness before assembly. See *fig. 2* and *3* for adjustments to aluminum length at wall returns and outside corners. Mitre aluminum to accommodate inside corners, see *fig. 4*
Note: All cuts must be square and deburred
- Step 3:** Layout aluminum retainer "face up" and mark and drill bracket mounting hole location.
Mounting holes must be spaced:
- 32" on center, or less
 - 3-1/2" - 6" from end of retainer at returns and outside corners
 - 3" - 6" from end of retainer at inside corners
 - A minimum of 3" from end of retainer at splices and butt joints
 - To align with metal studs (on metal stud construction) or preferable a horizontal metal stud or plate (by others)
- Note: Use groove in retainer to locate centerline for drilling, see fig. 5*
- Step 4:** Locate and drill bracket mounting holes in wall construction using the aluminum retainer as a template (or by careful measurement). Choice of hardware will dictate hole diameter.
- Step 5:** Mount retainer to wall with the appropriate hardware according to wall condition. See *fig. 17* for splicing information. Insure spacing between retainer will accommodate outside corner assemblies where required, refer to *fig. 3*
Suggested hardware:
Drywall: Toggler® brand toggle bolts
Masonry: Plastic Alligator® insert
- Step 6:** Drill and countersink accessory mounting holes in bottom edge of aluminum retainer for #8 flat head wood screws provided, see *fig. 6*. Outside corners require 2 holes each side, see *figs. 11, 12* and *13*. Returns require 2 holes on one side, see *figs. 8, 9* and *10*
- Step 7:** Install accessories into end of retainer, press firmly to insure part is seated squarely. Drill pilot holes (#29 bit) into the hardwood bumper guard using the accessory mounting holes drilled in step 7 as a location guide, see *figs. 8-13*. Secure parts with #8 wood screws provided.
Important: Corners and returns are installed without the upper wood portion attached
- Step 8:** Measure between accessories (corners and returns) and cut vinyl accent strip.
Accent strip should extend 1/4" beyond ends of retainer to extend fully into the molded vinyl connector
Note: All cuts must be square and deburred
- Step 9:** Place accent strip in finger groove of rail, ID mark up, see *fig. 7*. If necessary, temporarily hold accent strips in place with tape
- Step 10:** Apply glue to the vertical faces of the mounting groove in the wood corner and return tops. Install on vinyl connector and aluminum retainer, insuring top is seated squarely against the aluminum. Clamp wood in place against the retainer using two wraps of packaging tape, protect wood finishes with paper
Caution:
- Do not apply glue to areas that will mate with vinyl connector
 - Do not apply adhesive to the top face of the mounting groove or wood will not seat properly on aluminum
- Step 11:** Layout and cut wooden handrail and bumper guard. Insure wood will span all aluminum retainer splices
Note: All cuts must be square and deburred. Deburr using 120 grit sand paper being careful not to damage finish
Hint: Due to the nature of hardwoods care should be taken to select the straightest pieces of wood for the longest handrail spans
- Step 12:** Color the perimeter of all unfinished ends of the wooden handrail using a stain pen or touch-up stain, see *fig. 18*
- Step 13:** Drill and countersink accessory mounting holes in bottom edge of aluminum retainer for #8 flat head wood screws provided, see *fig. 6*
Space holes:
- No less than 1" from locations where bumper guard will terminate
 - No more than 24" on center
 - In any additional locations required to hold the wood true
- Step 14:** Place wood bumper guard over the aluminum retainer starting at one end of the span. Drill pilot holes in bumper guard (#29 bit) using countersink hole as a location guide. Secure in place with #8 wood screws provide, *fig. 14*
Important: Remove all tape used to hold accent strip in place

- Step 15: Apply a 1/8" bead of construction adhesive (included) to the opposing faces of the wood handrail mounting groove, see *fig. 19*
Note: Do not apply adhesive to the top face of the mounting groove or wood will not seat properly on aluminum
- Step 16: Place wood handrail over the aluminum retainer starting at one end of the span
- Step 17: Align wood handrail at all returns, butt joints and corners, clamp if necessary. Clamp wood handrail to retainer on longer spans (or as required) using two wraps of packaging tape (protect wood and plastic finishes with paper). Remove all clamps and tape after adhesive has set.

Specifications subject to change without notice.



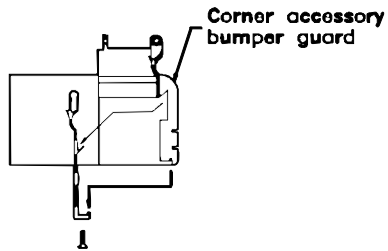


Fig 11

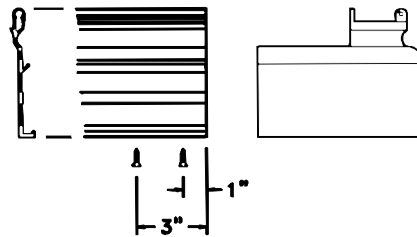


Fig 12

Apply glue to handgrip
as shown in FIG. 12

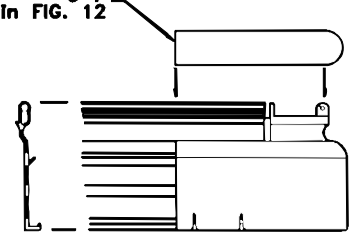


Fig 13

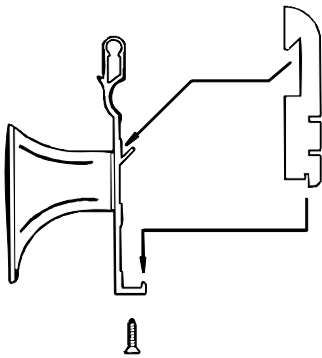


Fig 14

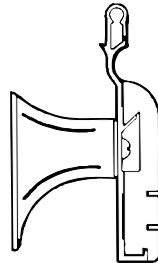


Fig 15

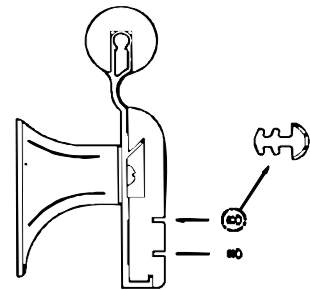


Fig 16

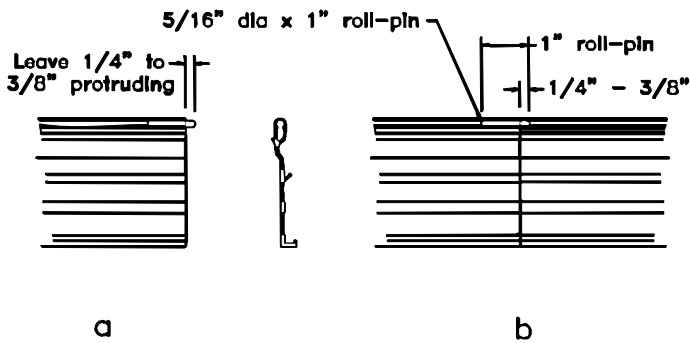


Fig 17

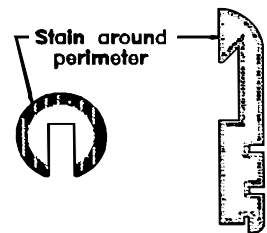


Fig 18

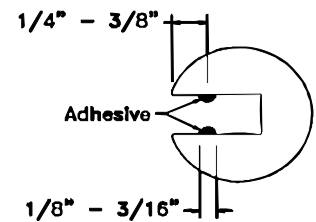


Fig 19