



AMERICAN FLOOR PRODUCTS COMPANY, INC.

AFCO-USA

P.O. BOX 7055 • Gaithersburg, Maryland 20898 -7055 • 301-987-0490 • Fax 301-987-0422

email: sales@afco-usa.com • Web Site: www.afco-usa.com

INSTALLATION INSTRUCTIONS

Impact Protection Systems

HANDRAILS: HORIZON® (WG-2172)

Mounting Brackets: (Wall hardware by others)

1. Snap chalk line to ensure assembled rail will be at recommended height.
2. Drill appropriate size holes at recommended spacing for wall fasteners used.
3. Mount bracket per recommended spacing using appropriate fasteners for wall materials (see chart):
 - With toggle bolts, fasteners should go through the bracket, spin on toggle, insert into wall and tighten.
 - With TOGLER® brand insert toggler flush with wall, then bracket can be mounted by inserting bolt through bracket into installed toggler.
4. There should be a bracket placed within 6" of the end of each run.

Aluminum Rails:

Measure and cut aluminum rail, making appropriate allowance for returns, inside/outside corners.

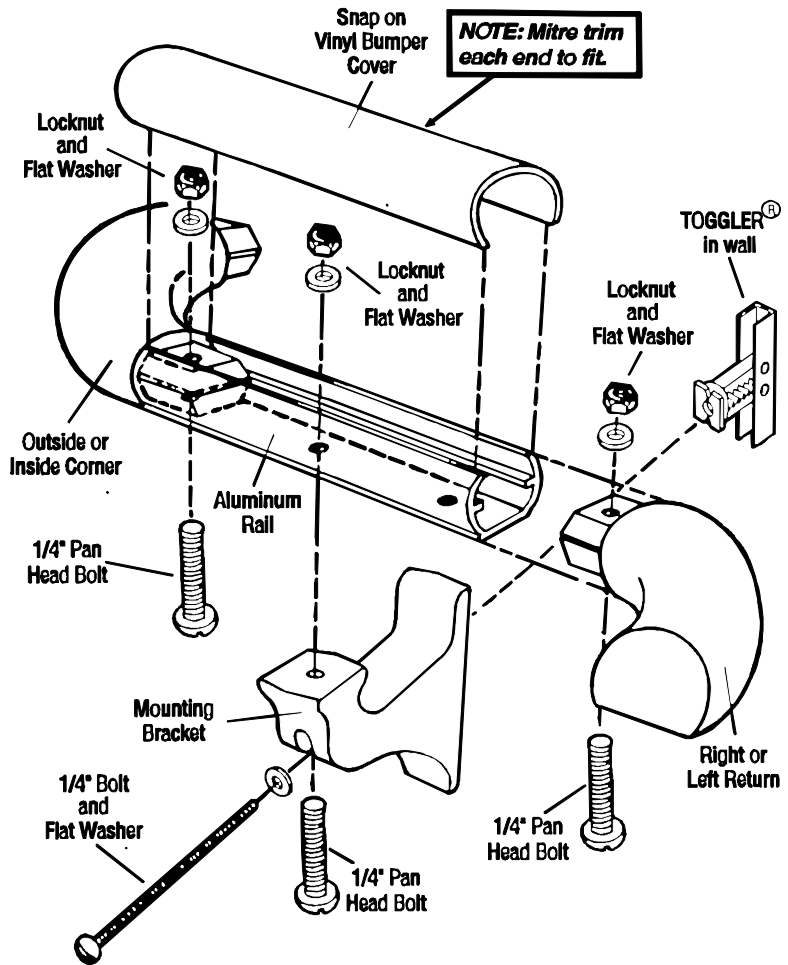
CAUTION: Cut aluminum rail square to assure a neat joint when vinyl bumper cover is assembled and butted to returns and corners. Deburr aluminum ends of rails before assembly, which improves fit of cap and reduces chance of "nicks or scratches". Insert splices (if needed) on runs over 12 feet. Attach returns and corners to aluminum rail with 1/4" bolt and flat washer and locknut (included).

Returns and Inside Corners:

Should be attached to the aluminum rail with locknuts and flat washers (provided). Always place a flat washer between locknut and vinyl tab and tighten with no more than 10 feet lbs. of torque. Mark, drill and fasten aluminum rail with returns and inside corners, to brackets with fasteners using care to insure return/corners are square with aluminum, deburr if necessary. Check fit with a small 1" or 2" pieces of vinyl cover snapped into place.

1/4" bolts, flat washers and locknut are included for fastening returns and corners to rail and for mounting rail to brackets.

- NOTE:**
1. Do not use lock washers. Use flat washers only.
 2. Apply 10 ft. lbs. of torque maximum.



Rail Style	Wall Measurement Allowance for Return	Allowance for Outside Corners	Allowance for Inside Corners	Recommended Bracket Spacing	Recommended Rail Height
WG-2172	3-1/4"	1/8"	4-5/8"	32" (on studs)	31" - 33"

*33" preferred - from University of Michigan Ergonomic Study.

Vinyl Covers:

Measure, cut and install vinyl cover 1/16" longer than required to improve fit. Remove any flash from cut with a deburring tool or small file.

NOTE: Vinyl covers all require cutting with a mitre saw on both ends to insure proper fit to return and corner accessories.

Specifications subject to change without notice.