



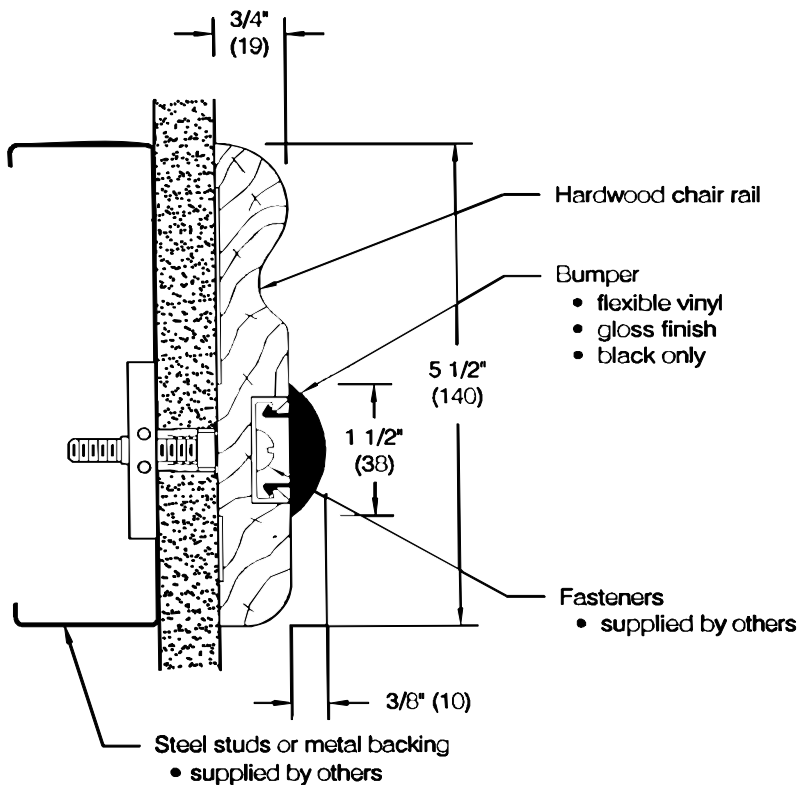
AMERICAN FLOOR PRODUCTS COMPANY, INC.

AFCO-USA

P.O. BOX 7055 • Gaithersburg, Maryland 20898 -7055 • 301-987-0490 • Fax 301-987-0422
 email: sales@afco-usa.com • Web Site: www.afco-usa.com

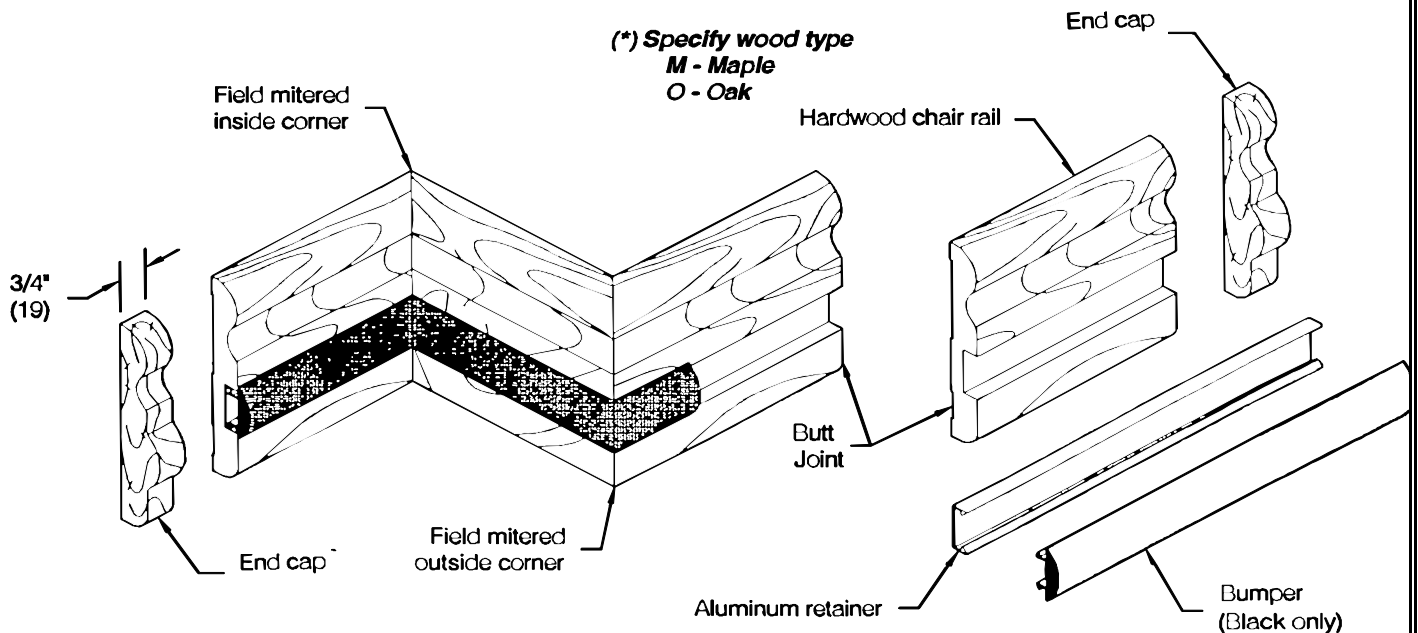
CUSTOMER P.O. #

SENECA® Wall Guard (WG-2135)



All hardwoods have their own "personality" or special characteristics. Finish may vary due to natural variations in wood color, grain and texture

(* Specify wood type
M - Maple
O - Oak



SENECA® Wall Guard (WG-2135)

| Profile | Application | Shock absorbing | ADA Compliance | Materials | Flammability & smoke developed (ASTM E-84) |
|-----------------|--------------------------------|-------------------------------|----------------|---------------------------|--|
| Sculpted | Med-high abuse Medium abuse | 25.4 ft.lbs/in. ASTM D-256 | Yes | Wood Aluminum Vinyl | Class A |

Testing in accordance with NFPA 255 (ASTM E 84):

Class A

Flame Spread Index: 5

Smoke Developed Index: 185

| | |
|---|---|
| <p>Features:</p> <ul style="list-style-type: none"> • ADA compliant • Class A fire rating available in oak • Milled end caps • Stock lengths: <ul style="list-style-type: none"> Wood - random 6'-0" (1829 mm) to 10'-0" (3048 mm) Aluminum & Bumper - 10'-0" (3048 mm) | <p>Finishes:</p> <p>Vinyl</p> <ul style="list-style-type: none"> • Manufacturer's standard colors <p>Wood</p> <ul style="list-style-type: none"> • Manufacturer's standard stain colors • Oak, maple, or ash hardwoods • Custom woods are available • Custom vinyl & stain colors available |
|---|---|

Wall Guard designs conform to OSHA, ANSI Life Safety, NFPA, BOCA, UBC, BOMA, ICBO, SBCCI, American Disabilities Act Accessibility Guidelines and all National Building /Code requirements.

| JOB NAME: | ITEMS | QUANTITY |
|-------------------------------------|------------------------|----------|
| JOB NUMBER: | Rail: (number of feet) | |
| CONTRACTOR: | Wood Type: | |
| ARCHITECT: | Wood Stain Color: | |
| DEALER NAME: | Vinyl Bumper Color: | |
| <i>SIGNATURE:</i> _____ Date: _____ | End Cap: | |