



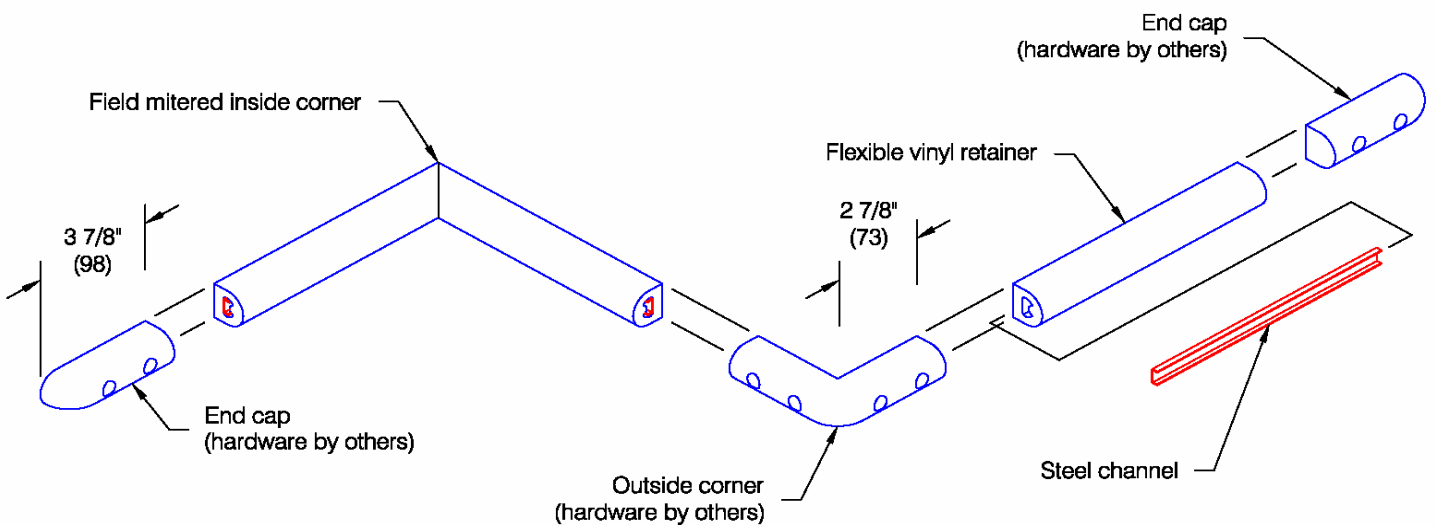
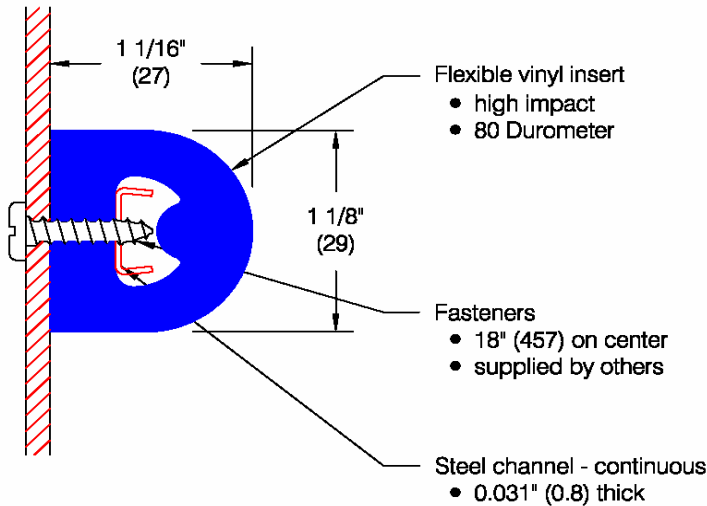
AMERICAN FLOOR PRODUCTS COMPANY, INC.

AFCO-USA

P.O. BOX 7055 • Gaithersburg, Maryland 20898 -7055 • 301-987-0490 • Fax 301-987-0422
email: sales@afco-usa.com • Web Site: www.afco-usa.com

CUSTOMER P.O. #

CHEYENNE® Mini-Rail Wall Guard (WG-2174)



CHEYENNE[®] Mini-Rail Wall Guard (WG-2174)

| Profile | Application | Shock absorbing | ADA Compliance | Materials | Flammability & smoke developed (ASTM E-84) |
|-------------|-------------|-------------------------------|----------------|----------------|--|
| Cylindrical | High abuse | 25.4 ft.lbs/in. ASTM D-256 | Yes | Vinyl Steel | Class A |

Testing in accordance with NFPA 255 (ASTM E 84):

Class A

Flame Spread Index: 5

Smoke Developed Index: 185

| | |
|--|---|
| <p>Features:</p> <ul style="list-style-type: none"> • Class A fire rating • Molded end caps • Molded outside corners • Weight: 0.4 lbs./ft. • Stock length: 12'-0" (3658 mm) | <p>Finishes:</p> <ul style="list-style-type: none"> • Available in limited standard colors • Custom colors available |
|--|---|

Wall Guard designs conform to OSHA, ANSI Life Safety, NFPA, BOCA, UBC, BOMA, ICBO, SBCCI, American Disabilities Act Accessibility Guidelines and all National Building /Code requirements.

| | | |
|--------------------|----------------------|-----------------|
| JOB NAME: | ITEMS | QUANTITY |
| JOB NUMBER: | Guard Length: 12 ft. | |
| CONTRACTOR: | Color: | |
| ARCHITECT: | End Cap: | |
| DEALER: | Outside Corner: | |
| SIGNATURE: | Date: | |